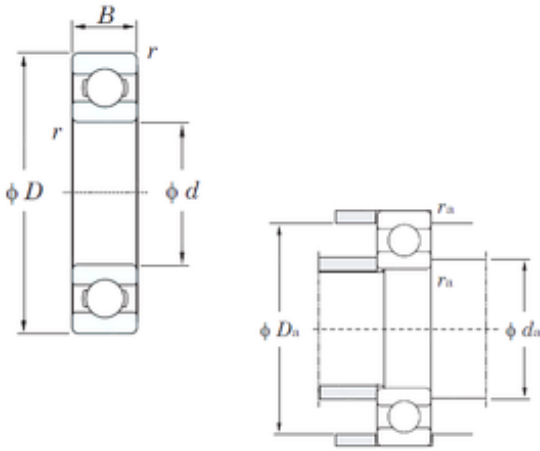




# Garlock BEARING MANUFACTURING LTD



Deep Groove Ball Bearing 6204 2RS 6204zz  
 Motorcycle Bearing, Gearbox Bearing for  
 Automotive, Elctrial Motor, Fan NSK, SKF, NTN,  
 Koyo

Bearing No. 6204

6204 Bearing 2D drawings and 3D CAD models

Size	20x47x14 mm
Bore Diameter	20 mm
Outer Diameter	47 mm
Width	14 mm
d	20 mm
D	47 mm
B	14 mm
C	14 mm
r min.	1 mm
da min.	25 mm
Da max.	42 mm
ra max.	1 mm
Weight	0,106 Kg
Basic dynamic load rating (C)	12,8 kN
Basic static load rating (C0)	6,65 kN
(Grease) Lubrication Speed	15000 r/min
(Oil) Lubrication Speed	17000 r/min
Category	Single Row Ball Bearings
Inventory	0.0
Manufacturer Name	KOYO
Minimum Buy Quantity	N/A
Weight / Kilogram	0.114
EAN	0605790058226



## Garlock BEARING MANUFACTURING LTD

Product Group	B00308
Enclosure	Open
Precision Class	ABEC 1   ISO P0
Maximum Capacity / Filling Slot	No
Rolling Element	Ball Bearing
Snap Ring	No
Internal Special Features	No
Cage Material	Steel
Internal Clearance	C0-Medium
Inch - Metric	Metric
Long Description	20MM Bore; 47MM Outside Diameter; 14MM Outer Race Diameter; Open; Ball Bearing; ABEC 1   ISO P0; No Filling Slot; No Snap Ring; No Internal Special Features
Category	Single Row Ball Bearing
UNSPSC	31171504
Harmonized Tariff Code	8482.10.50.68
Noun	Bearing
Keyword String	Ball
Manufacturer URL	<a href="http://www.koyousa.com">http://www.koyousa.com</a>
Manufacturer Item Number	6204
Weight / LBS	0.251
Bore	0.787 Inch   20 Millimeter
Outer Race Width	0.551 Inch   14 Millimeter
Outside Diameter	1.85 Inch   47 Millimeter
Bearing No.	6204
r(min)	1
Cr	16.0
C0r	6.65
Cu	0.510



## Garlock BEARING MANUFACTURING LTD

f0	13.2
Grease lub.	15000
Oil lub.	17000
da(min)	25
Da(max)	42
ra(max)	1
(Refer.) Mass(kg)	0.106