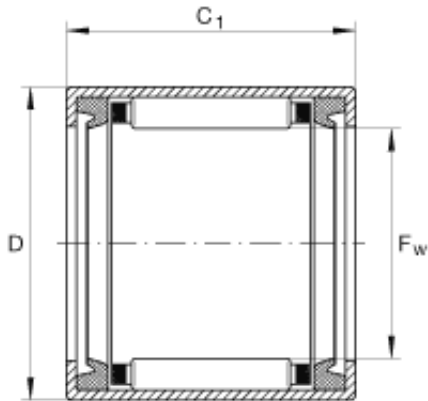




# Garlock BEARING MANUFACTURING LTD



## INA SCE1616-PP Needle Roller Bearings

Bearing No. SCE1616-PP

Size	25.4x31.75x25.4 mm
Bore Diameter	25,4 mm
Outer Diameter	31,75 mm
Width	25,4 mm
F <sub>w</sub>	1 inch
F <sub>w</sub>	25,4 mm
D	1,25 inch
D	31,75 mm
C <sub>1</sub>	1 inch
C <sub>1</sub>	25,4 mm
m	0,073 lbs / Weight
m	33 g / Weight
C <sub>r</sub>	4050 lbf / Dynamic load rating (radial)
C <sub>r</sub>	18000 N / Dynamic load rating (radial)
C <sub>0r</sub>	6750 lbf / Static load rating (radial)
C <sub>0r</sub>	30000 N / Static load rating (radial)
n <sub>G</sub>	10100 1/min / Limiting speed
n <sub>B</sub>	7400 1/min / Reference speed
Category	Needle Non Thrust Roller Bearings
Inventory	0.0
Manufacturer Name	SCHAEFFLER GROUP

SCE1616-PP Bearing 2D drawings and 3D CAD models



## Garlock BEARING MANUFACTURING LTD

Minimum Buy Quantity	N/A
Weight / Kilogram	0
EAN	4012802069914
Product Group	B04144
Rolling Element	Needle Roller Bearing
Component	Roller Assembly with Outer Ring - No Inner Ring
Enclosure	2 Seals
Self Aligning	No
Retainer	Yes
Number of Rows of Rollers	Single Row
Separable	No
Closed End	No
Inch - Metric	Inch
Relubricatable	No
Thrust Bearing	No
Long Description	1" Bore; 1-1/4" Outside Diameter; 1" Width; Needle Roller Bearing; Roller Assembly with Outer Ring - No Inner Ring; 2 Seals; Not Self Aligning; Retainer; Single Row of Rollers; Not Sepa
Other Features	2 Rib Outer Ring   Drawn Cup Bearing   Steel Cage
Category	Needle Non Thrust Roller Bearing
UNSPSC	31171512
Harmonized Tariff Code	8482.99.65.30
Noun	Roller Assembly with Outer Ring
Keyword String	Bearing Needle
Manufacturer URL	<a href="http://www.ina.com">http://www.ina.com</a>
Manufacturer Item Number	SCE1616PP
Weight / LBS	0.073



## Garlock BEARING MANUFACTURING LTD

Outside Diameter	1.25 Inch   31.75 Millimeter
Bore	1 Inch   25.4 Millimeter
Width	1 Inch   25.4 Millimeter