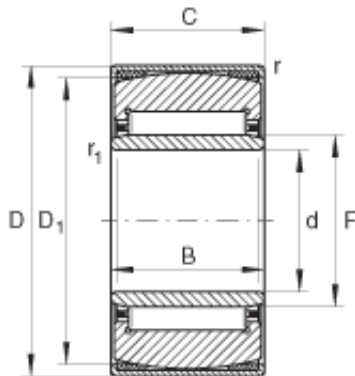




# Garlock BEARING MANUFACTURING LTD

20 mm x 42 mm x 20 mm 20 mm x 42 mm x 20 mm INA PNA20/42 Needle Roller Bearings



Bearing No. PNA20/42

PNA20/42 Bearing 2D drawings and 3D CAD models

Size	20x42x20 mm
Bore Diameter	20 mm
Outer Diameter	42 mm
Width	20 mm
d	20 mm
D	42 mm
C - 20 mm / Tolerance: +/-0,5	20 mm / Tolerance: +/-0,5
B	20 mm
D <sub>1</sub>	36,5 mm
F	25 mm
r <sub>1 min</sub>	0,3 mm
r <sub>min</sub>	0,8 mm
s	0,5 mm / Axial displacement
m	136 g / Weight
C <sub>r</sub>	21300 N / Dynamic load rating (radial)
C <sub>0r</sub>	30500 N / Static load rating (radial)
C <sub>ur</sub>	5300 N / Fatigue limit load, radial
n <sub>G</sub>	17800 1/min / Limiting speed
Category	Needle Self Aligning Roller Bearings
Inventory	0.0



## Garlock BEARING MANUFACTURING LTD

Manufacturer Name	SCHAEFFLER GROUP
Minimum Buy Quantity	N/A
Weight / Kilogram	0.14
EAN	4012802064827
Product Group	B04144
Rolling Element	Needle Roller Bearing
Component	Complete with Outer and Inner Ring
Enclosure	Open
Self Aligning	Yes
Retainer	Yes
Number of Rows of Rollers	Single Row
Separable	Inner Ring - Both Sides
Inch - Metric	Metric
Relubricatable	No
Thrust Bearing	No
Long Description	20MM Bore; 42MM Outside Diameter; 20MM Width; Needle Roller Bearing; Complete with Outer and Inner Ring; Open Enclosure; Self Aligning; Retainer; Single Row of Rollers; Inner Ring - Both Sides Separab
Other Features	Plain Inner Ring   2 Rib Outer Ring   Steel Cage   Self Contained Aligning Adaptor
Category	Needle Self Aligning Roller Bearing
UNSPSC	31171512
Harmonized Tariff Code	8482.40.00.00
Noun	Bearing
Keyword String	Needle
Manufacturer URL	<a href="http://www.ina.com">http://www.ina.com</a>



## Garlock BEARING MANUFACTURING LTD

Manufacturer Item Number	PNA20/42
Weight / LBS	0.3
Outside Diameter	1.654 Inch   42 Millimeter
Bore	0.787 Inch   20 Millimeter
Width	0.787 Inch   20 Millimeter