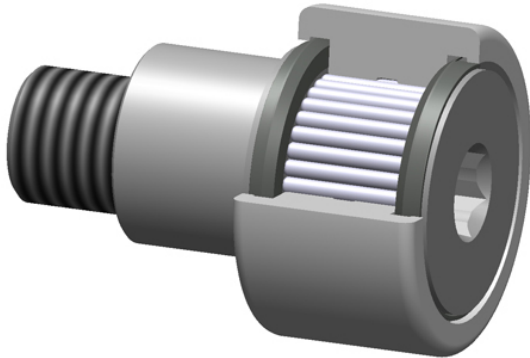




# Garlock BEARING MANUFACTURING LTD



## PCI Procal Inc. SCFE-2.25-SH Crowned & Flat Cam Followers Bearings

Bearing No. SCFE-2.25-SH

SCFE-2.25-SH Bearing 2D drawings and 3D CAD models

roller diameter:	2.2500 in
closure type:	Sealed
roller width:	1.2500 in
head type:	Hex
stud diameter:	1.1875 in
thread size:	7/8-14
stud length:	2.0000 in
radial dynamic load capacity:	8090 lbs
roller shape:	Flat
radial static load capacity:	10000 lbs
roller material:	Chrome Steel
technical specifications:	<a href="#">Click here</a>
bearing element:	Needle Rollers