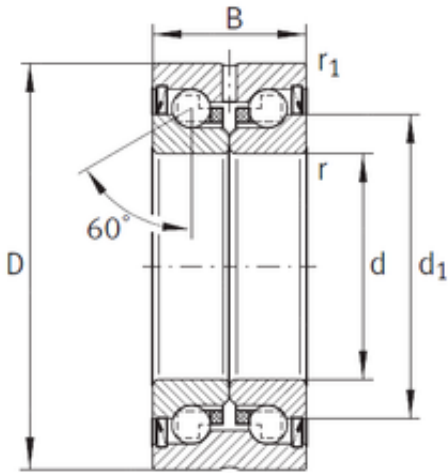




Garlock BEARING MANUFACTURING LTD



20 mm x 52 mm x 28 mm 20 mm x 52 mm x 28 mm INA ZKLN2052-2RS Angular Contact Bearings

Bearing No. ZKLN2052-2RS

ZKLN2052-2RS Bearing 2D drawings and 3D CAD models

Size	20x52x28 mm
Bore Diameter	20 mm
Outer Diameter	52 mm
Width	28 mm
d	20 mm
D	52 mm
B	28 mm
C	28 mm
Angle (?)	60 °
d1	34,5 mm
r min.	0,3 mm
r1 min.	0,6 mm
Weight	0,31 Kg
Basic dynamic load rating (C)	26 kN
Basic static load rating (C0)	47 kN
Category	Angular Contact Ball Bearings
Inventory	0.0
Manufacturer Name	SCHAEFFLER GROUP
Minimum Buy Quantity	N/A
Weight / Kilogram	0.371
EAN	4012802420395
Product Group	B00152
Enclosure	2 Seals



Garlock BEARING MANUFACTURING LTD

Flush Ground	No
Rolling Element	Ball Bearing
Number of Rows of Balls	Double Row
Precision Class	ABEC 1 ISO P0
Maximum Capacity / Filling Slot	No
Snap Ring	No
Cage Material	Plastic
Contact Angle	60 Degree
Internal Clearance	C0-Medium
Number of Bearings	1 (Single)
Inch - Metric	Metric
Long Description	20MM Bore; 52MM Outside Diameter; 28MM Width; 2 Seals; No Flush Ground; Ball Bearing; Double Row of Balls; ABEC 1 ISO P0; No Filling Slot; No Snap Ring; C0-Medium; Plastic Cage; 60 Degree; 1 (Single)
Other Features	With Fixing Holes
Category	Angular Contact Ball Bearing
UNSPSC	31171531
Harmonized Tariff Code	8482.10.50.28
Noun	Bearing
Keyword String	Angular Contact
Manufacturer URL	http://www.ina.com
Weight / LBS	0.68343
Bore	0.787 Inch 20 Millimeter
Outside Diameter	2.047 Inch 52 Millimeter
Width	1.102 Inch 28 Millimeter